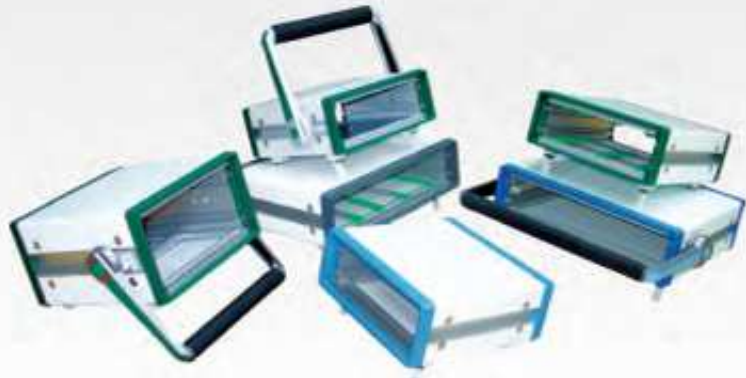
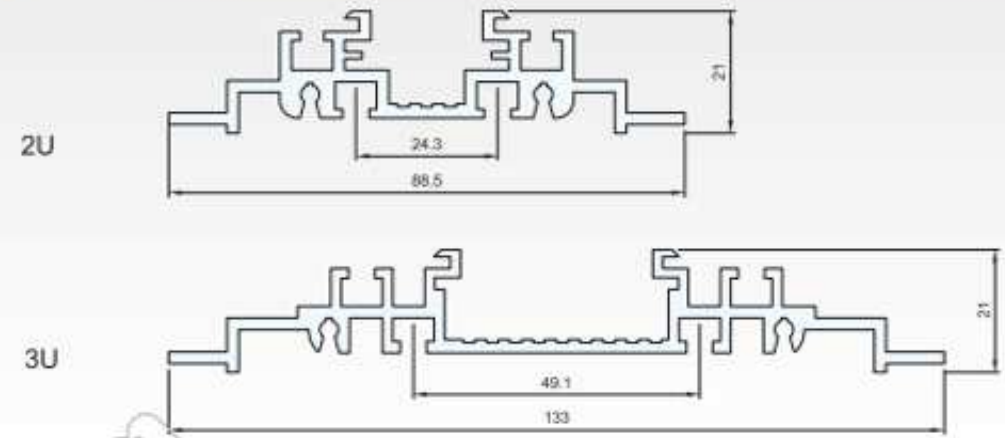


型号CODE:17-84



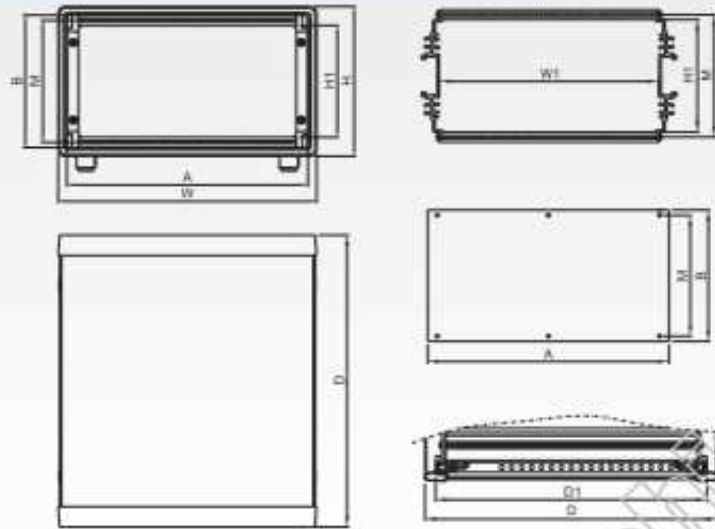
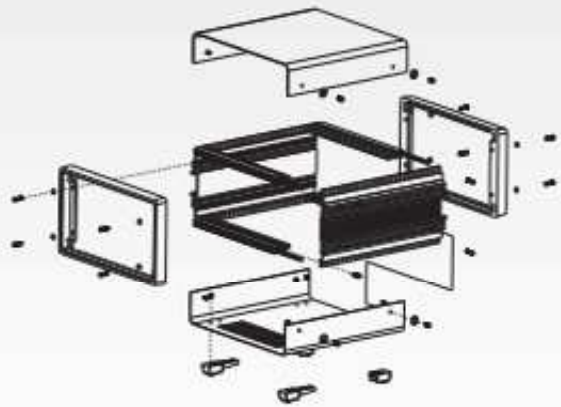
本机箱为铝型材机箱，主要由铝压铸面框、铝型材侧板和冷扎钢板成型盖板组成；面框和盖板表面处理可选择喷塑或喷漆，型材表面处理可选择喷塑、喷漆或氧化。

This cabinet is Al. extrusion cabinet. This aluminum enclosure mainly consists of aluminum bezel, side panel, aluminum beam, and top & bottom panels. Surface finishing for bezel and panel: powder coating or painting. Surface finishing for aluminum extrusion: powder coating or painting or anodizing.



爆炸图(Exploded view)

尺寸图(Dimension)



D1: 前箱净深 D: 机箱深度 D1-D-22
D1: Net depth of the cabinet. D: Depth of the cabinet. D1-D-22

型号 CODE	HE	TE	H	H1	W	W1	A	B	M
17-84 17-84A 17-84B	2U	42	103	68.5	260	221.2	241.7	84.2	78.5
17-90 17-90A 17-90B	2U	63	103	68.5	368	328.7	349.2	84.2	78.5
17-89 17-89A 17-89B	3U	42	151	113	260	221.2	241.7	132.2	123
17-91 17-91A 17-91B	3U	63	151	113	368	328.7	349.2	132.2	123



高度(HE):2U, 3U; 宽度(TE):42孔, 63孔; 常规深度(D):180mm, 240mm, 300mm, 360mm。如客户有特殊需求, 深度(D)和颜色可定制。

Height(HE):2U, 3U; width(TE):42 holes, 63 holes; standard depth(D):180mm, 240mm, 300mm, 360mm. Depth(D) and color can be customized as per your request.

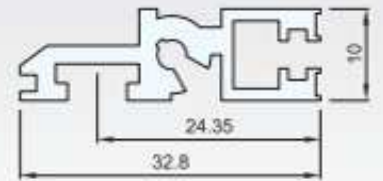
螺母块(Slide nut)



螺母条(Tapped strip)



横梁(Beam)



PCB导轨(PCB DIN-rail)



底部散热孔(Ventilation slots)



面板可开孔(The holes can be added in the panels)

