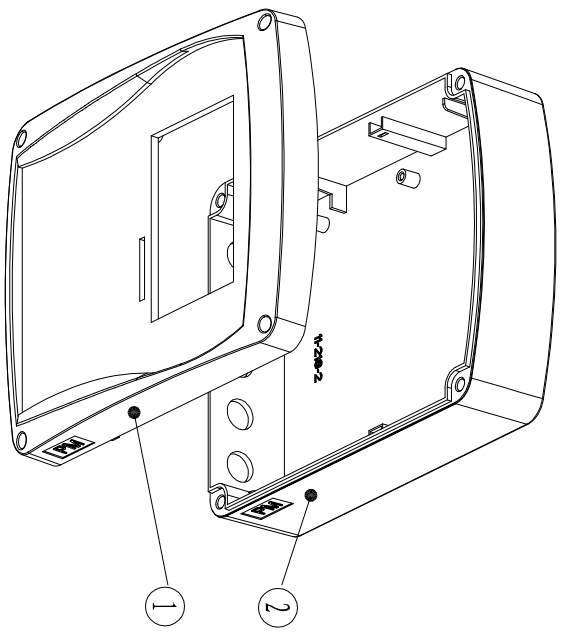
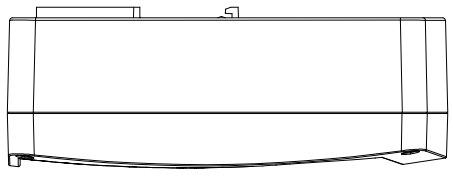
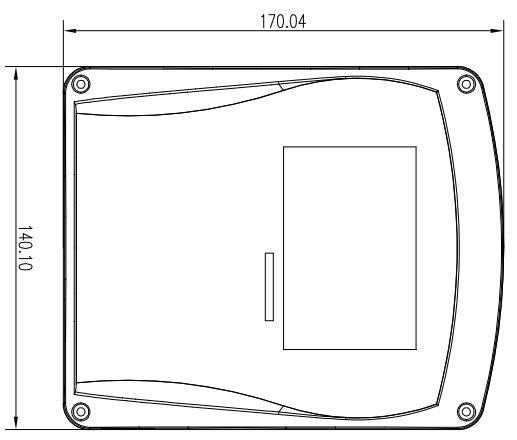
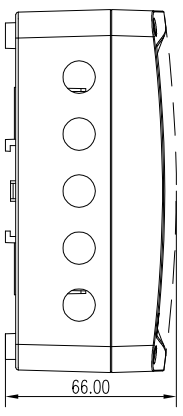


1 2 3 4 5 6



| 序号 Number | 产品编号 Product Code | 零件名称 Part Name | 数量 Quantity | 材料 Material | 重量(g) Weight | 备注 Remarks | | | | | | | | | | | | | | |
|---|----------------------|-------------------|-----------------------|----------------------|----------------------|--------------------|---------------|----------------|---------------|-----------------------|----------------------|----------------------|--------------------|--|--|--|--|-----|--------|--------------------|
| 1 | 11-218-1 | 上盖 | 1 | PC+10GF | | | | | | | | | | | | | | | | |
| 2 | 11-218-2 | 下壳 | 1 | PC+10GF | | | | | | | | | | | | | | | | |
| <table border="1"> <tr> <td>制图 Drawing</td> <td>审核 Auditing</td> <td>批准 Confirm</td> <td>客户名称 Customer Name</td> <td>产品名称 Product Name</td> <td>产品编号 Product Code</td> <td>视图 Project View</td> </tr> <tr> <td></td> <td></td> <td></td> <td></td> <td>装配图</td> <td>11-218</td> <td>视图 Project View</td> </tr> </table> | | | | | | | 制图 Drawing | 审核 Auditing | 批准 Confirm | 客户名称 Customer Name | 产品名称 Product Name | 产品编号 Product Code | 视图 Project View | | | | | 装配图 | 11-218 | 视图 Project View |
| 制图 Drawing | 审核 Auditing | 批准 Confirm | 客户名称 Customer Name | 产品名称 Product Name | 产品编号 Product Code | 视图 Project View | | | | | | | | | | | | | | |
| | | | | 装配图 | 11-218 | 视图 Project View | | | | | | | | | | | | | | |
| <table border="1"> <tr> <td>共</td> <td>页</td> <td>第</td> <td>页</td> <td colspan="3"></td> </tr> </table> | | | | | | | 共 | 页 | 第 | 页 | | | | | | | | | | |
| 共 | 页 | 第 | 页 | | | | | | | | | | | | | | | | | |

1 2 3 4 5 6



A3