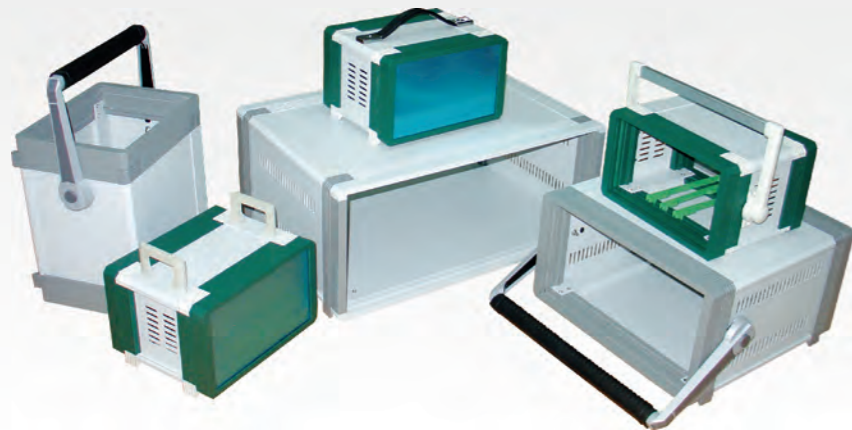
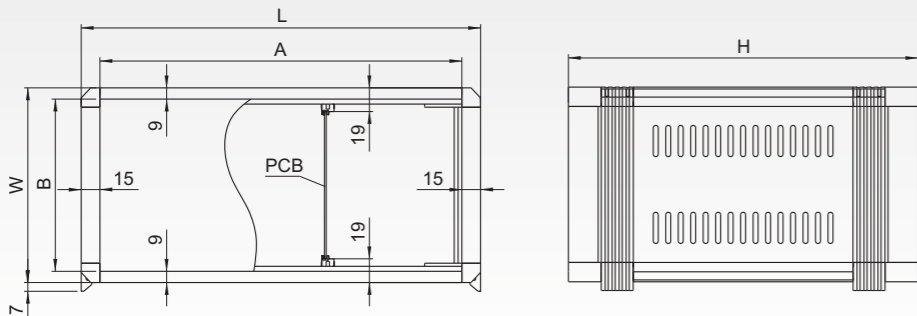


型号CODE:17-132

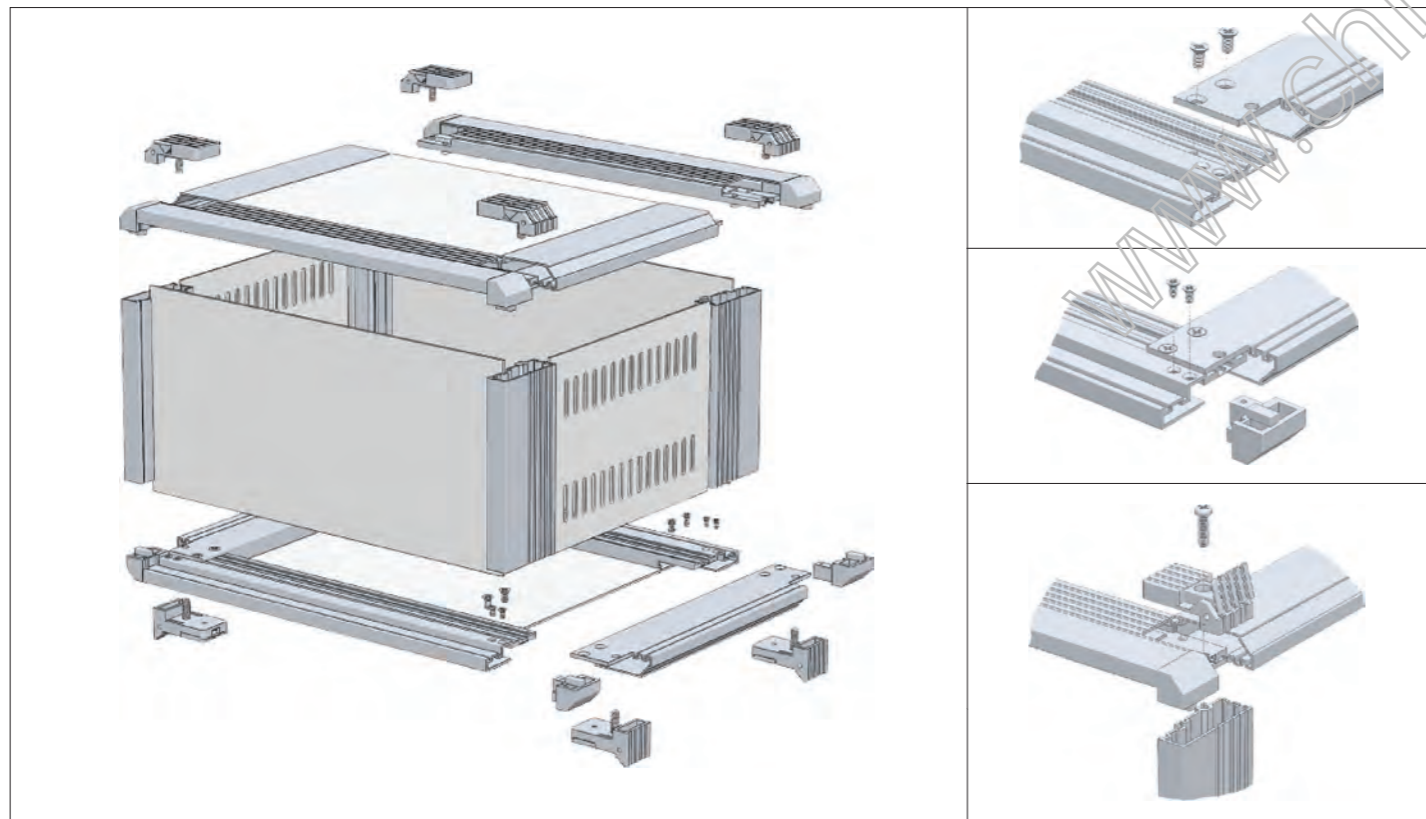


本机箱由型材及铝板拼装而成，表面经喷塑处理，颜色可按要求定制。箱体尺寸可按要求任意定制，并可选装多种提手。

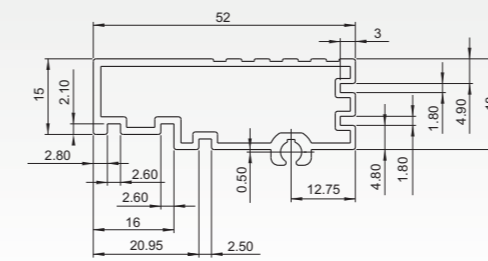
This cabinet series consists of aluminum extrusion and panels. Surface treatment: powder coating. Color and dimension can be customized. Various of handles are Available.



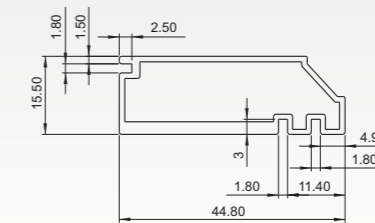
本类机箱尺寸可任意定制，各个面板均可按要求任意开孔。Adding holes are available.



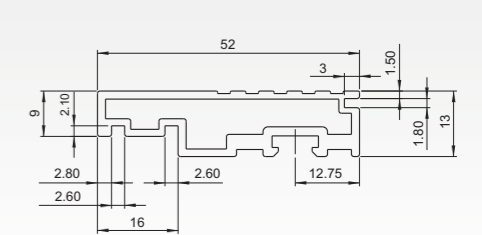
横梁(Beam)



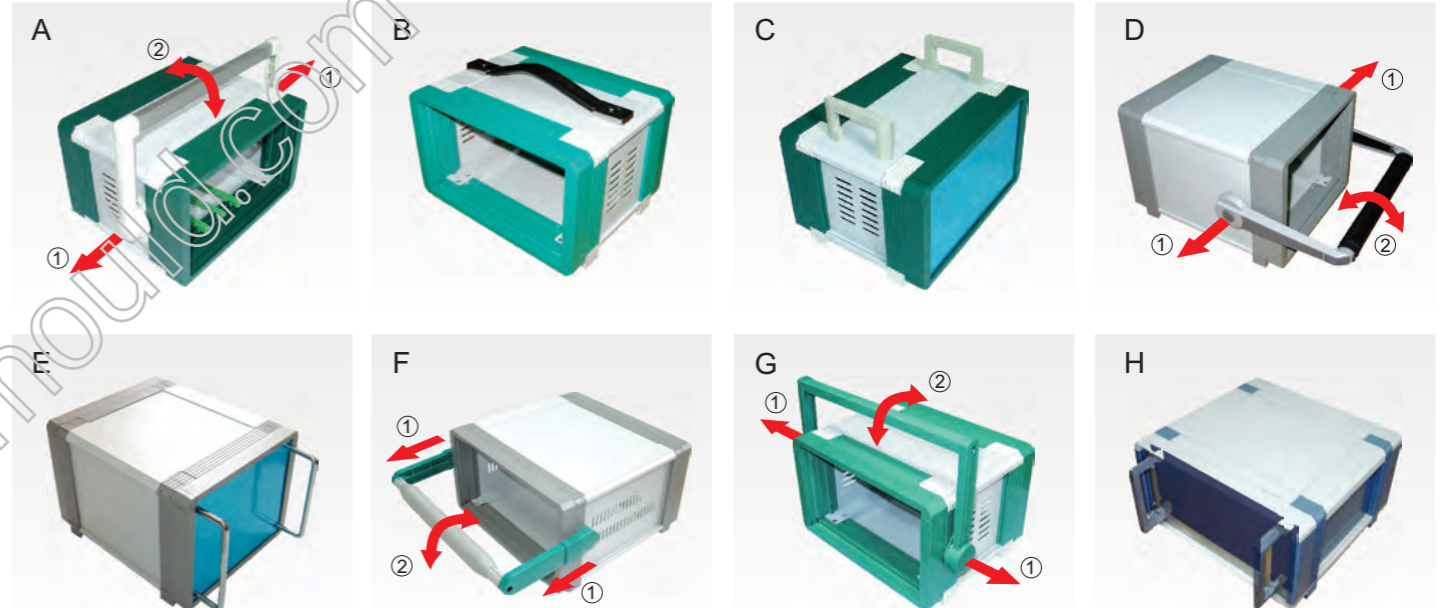
侧梁(Side beam)



立柱(Vertical column)



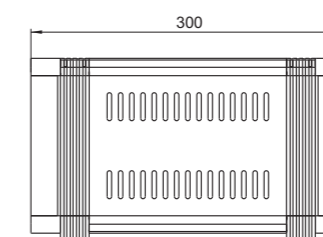
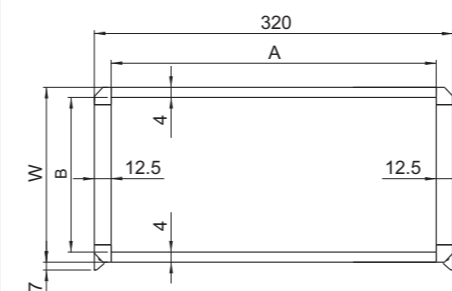
各种选配件(Optional Parts)



型号CODE:15-19

本机箱外观与17-132相同，但结构不同。本机箱上盖及底盖为ABS塑料整体注塑而成，立柱仍为铝型材，侧板及前后面板为铝板。机箱长宽尺寸固定，高度可任意定制。

This cabinet has the same appearance of 17-132, but with different structure. Top & bottom panels: ABS plastics, Vertical column: Al. Extrusion. Side, front & rear panels: Al. Panels. The dimension of length & width is fixed. Height can be customized.



立柱(Vertical column)

